


# 1RU Ready HMI Engine

## 19" half Rack Ready

### *Product Specification*

Customer	Standard		
Product Number	DMT066YYHLCMU-1D		
Customer Part Number			
Customer Approval		Date:	

### Internal Approvals

Product Mgr	Doc. Control	Electr. Eng.
Bazile Peter	Kadafi Ali	Filip Kaczorowski
Date: 2019/03/30	Date: 2019/03/27	Date: 2019/03/23

## Revision Record

Rev.	Date	Page	Chapt.	Comment	ECR no.
A	2019-03-27	--	--	Preliminary	

## Table of Contents

<b>1.0 GENERAL DESCRIPTIONS</b>	<b>4</b>
1.1 Introduction	4
1.2 Main Features	4
1.3 Scanning Frequency	5
1.4 Input Resolution [USB]	5
1.5 Input/Output Signal	5
1.6 User Controls	5
1.7 Key Button Function	6
<b>2.0 MECHANICAL SPECIFICATION</b>	<b>7</b>
2.1 Mechanical Characteristics	7
2.2 Mechanical Drawing	8
2.3 Product picture	9
2.4 Block Diagram	10
<b>3.0 ELECTRICAL SPECIFICATION</b>	<b>11</b>
3.1 Power consumption	11
<b>4.0 TIMING AND OPERATING SYSTEMS</b>	<b>12</b>
4.1 Timing characteristics	12
4.2 Operating systems	12
<b>5.0 OPTICAL SPECIFICATION</b>	<b>13</b>
5.1 Optical Characteristics	13
<b>6.0 ENVIRONMENTAL SPECIFICATION</b>	<b>13</b>
6.1 Environmental Characteristics	13

# 1.0 General Descriptions

## 1.1 Introduction

This industrial TFT-LCD monitor is a high performance TFT LCD monitor for rack mount products and provides a high image from the USB B Type Interface.

## 1.2 Main Features

Item	Contents
Screen Size	6.6" Diagonal
Display Format	1440(H) x RGB x 240 (V) dots
Colour	16.7M
Overall Dimensions	230 (W) × 44.0 (H) × 23.2 (D) mm
Active Area	164.16 mm (H) x 27.36 mm (V)
Pixel Pitch	0.114 (H) x 0.114 (V)
Viewing Angle	L/R: 160°(Typ.) U/D: 160° (Typ.)
Contrast Ratio	800: 1 (Typ.)
Brightness	750 CD/m2
I/O	3 x USB (B Type)
Backlight	LED
Mechanism	Durable Metal Case
Plug & Play	USB DisplayLink
Response time	25 msec
Touch Panel	PCT
Touch Interface	USB
Operating temperature	-10°C ~ +60°C
Storage temperature	-10°C ~ +60°C

## 1.3 Scanning Frequency

Item	Contents
Horizontal	31.5 ~ 80KHz
Vertical	50 ~ 75Hz

## 1.4 Input Resolution [USB]

Item	Contents
Recommended Resolution	1440 x 240@ 60Hz
Supported Input Resolution	1440 x 240@ 60Hz

## 1.5 Input/Output Signal




Item	Contents
USB x 1	Connected to PC for TFT, PCAP Additional USD devices ( like knob )
USB x 2	

## 1.6 User Controls

Item	Contents
Key Button	2x 3 Keys
Rotary Knob ( Optional )	1 Knob

## 1.7 Key Button Function



Button	Function
Power	Turns On/Off the Backlight
Up	Adjust Brightness
Down	Adjust Brightness

Preliminary

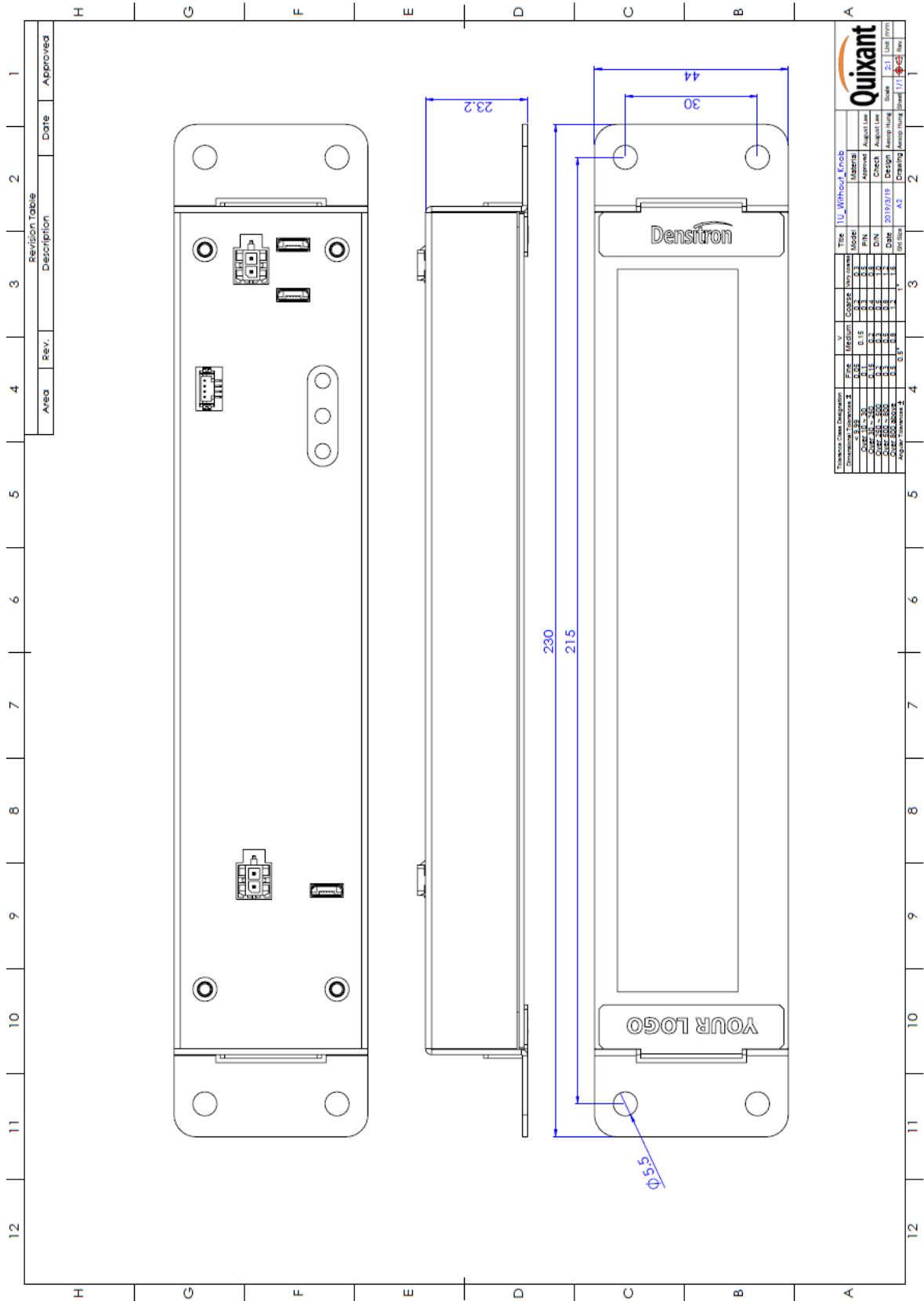
## 2.0 Mechanical Specification

### 2.1 Mechanical Characteristics

Item	Characteristic	Unit
Display Format	1440(H) x 240(V)	Dots
Overall Dimensions	230.0 (W) × 44.0 (H) × 23.2 (D) mm	mm
Active Area	164.16 (H)) x 27.36 (V)	mm
Display colour	16.7M	
Weight	320	g

Preliminary

## 2.2 Mechanical Drawing



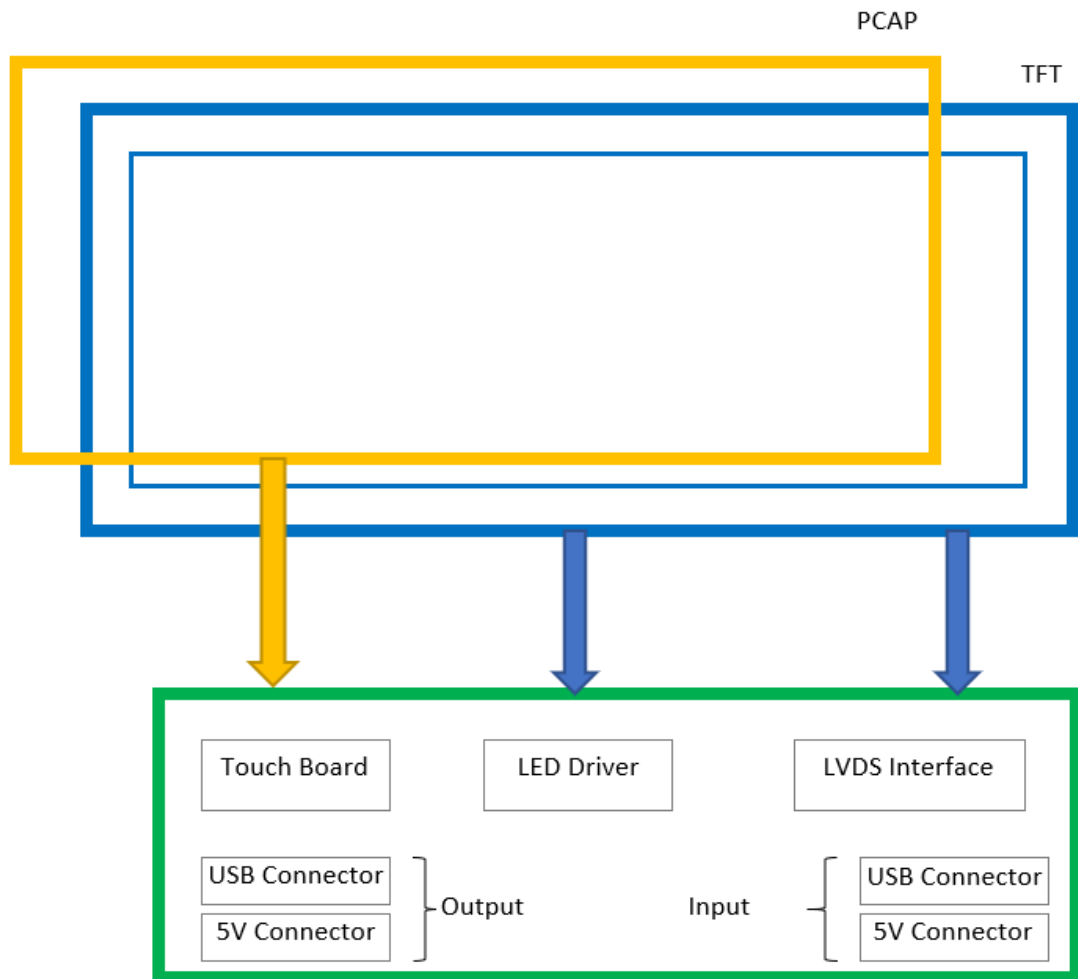


## 2.3 Product picture



Preliminary

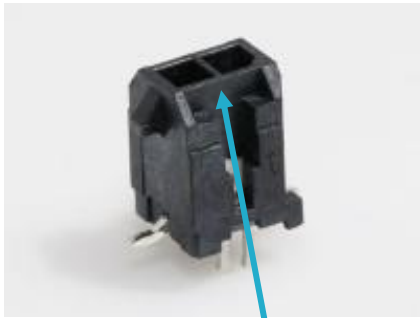
## 2.4 Block Diagram



## 3.0 Electrical Specification

### 3.1 Power consumption

Molex 430450215



Item	Remark
Normal Input Voltage Range	5V DC $\pm$ 10%
Power Connector	Molex 430450215
Power Consumption	7W Max

Cable side mating recommendation:  
 Micro-Fit Receptacle housing Molex 43025 series.  
 Micro-Fit Female crimp terminals: Molex 43030-series.

## 4.0 Timing and Operating systems

### 4.1 Timing characteristics

PC/DVI/HDMI Signal resolution (DTV)

No.	Resolution	V-freq.(Hz)	Proposed
1	720*480	60.00	SDTV 480p
2	720*576	50.00	SDTV 576p
3	1280*720	50.00	HDTV 720p 50Hz
4	1280*720	60.00	HDTV 720p 60Hz
5	1920*540	60.00	HDTV 540p 60Hz

PC/DVI/HDMI Signal Resolution (PC)

No.	Resolution	V-freq.(Hz)	Proposed
1	640*480	60.00	
2	800*600	56.00	
3	800*600	60.00	
4	1024*768	60.00	
5	1280*1024	60.00	
6	1280*768	60.00	
9	1920*540	60.00	

### 4.2 Operating systems

Here under are listed the minimum configuration requirement.

Operating Systems	Driver Requirement for TFT	Driver Requirement for PCP
Windows 7 and above	Native	Required
Linux Ubuntu 16.4 and above	Native	Required

Please refer to user manual for more details about the operation.

## 5.0 Optical Specification

### 5.1 Optical Characteristics

Characteristics	Symbol	Conditions	Min.	Typ.	Max.	Unit
Brightness	L <sub>br</sub>		-	750	-	cd/m <sup>2</sup>
Dark Room Contrast	CR		-	800:1	-	
View Angle			-	160	-	degree

## 6.0 Environmental Specification

### 6.1 Environmental Characteristics

Item	Remark
Operating Temperature	-10°C ~ +60°C
Storage Temperature	-10°C ~ +60°C
Storage Humidity	5~90% RH
Operating Humidity	5~90% RH